

KOMATSU

WA600-8 *Stone Handler*

WHEEL LOADER



WA600

ENGINE POWER

396 kW / 530 HP @ 1.900 rpm

OPERATING WEIGHT

60.800 kg

PAYLOAD

40.900 kg

Stone Handler

Stone Handler

For efficient operations, stone handling requires robust machinery. Komatsu wheel loaders are well-known for their exceptionally strong design, and their long service life even when working under the toughest conditions. The Komatsu WA600-8 in its stone handling specification perfectly adapts to the special requirements of this application. The combination of the modified base machine with a wedge type quick coupler and a specially designed stone fork ensures optimum kinematics for daily work. Special buckets are available on request, and hydraulic modifications to the base machine allow higher loads. In addition, reinforced axles, an axle oil cooling system and additional counterweights provide a package that meets the application requirements. To learn more about the Komatsu WA600-8 wheel loader, its operator comfort and maintenance advantages please see the sales brochure or contact your local Komatsu Distributor.

Modifications and equipments on the base machine

- Reinforced axles
- Axle oil cooling system
- Additional counterweights
- Reinforced rims
- ø 225 mm – lift cylinder
- ø 250 mm – tilt cylinder
- Reinforced chassis
- Stone forks
- Wedge type quick coupler





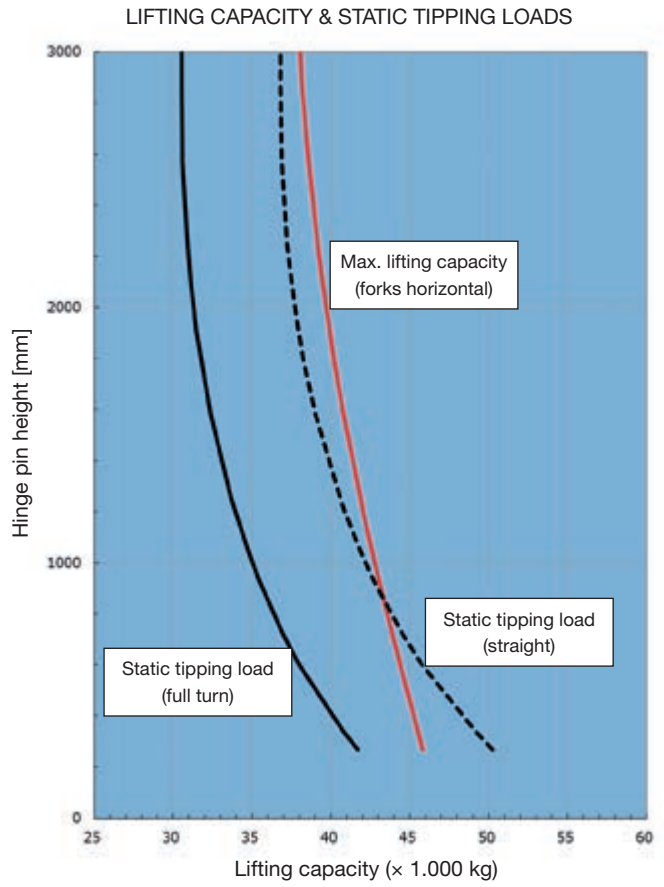
Heavy counterweights



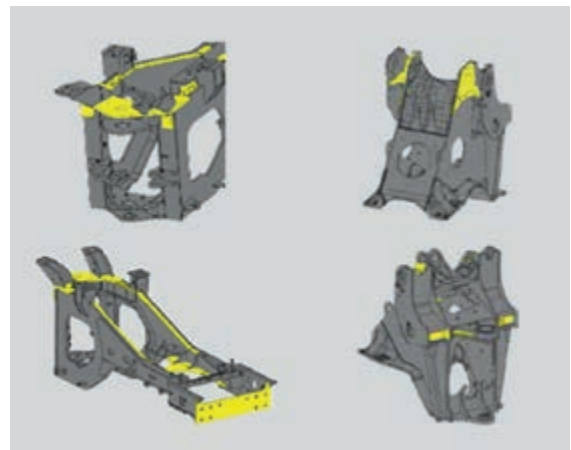
Reinforced rims and axle oil cooling system



LIFTING CAPACITY & STATIC TIPPING LOADS



Performance data refer to WA600-8 stone handler specification including wedge type quick coupler as well as stone fork and show the machine characteristics under aspects of balance and lift capacity only. Figures should not be used to define the maximum load capacity of the machine. Jobsite conditions and stone block dimensions vary which affects payload limitations.



Reinforced chassis

MEASUREMENTS AND WORKING SPECIFICATIONS

A	Tine length	mm	1.800
B	Load center	mm	900
C	Overall length	mm	12.380
D	Reach with fork at ground level	mm	1.575
	Reach with fork at ground level (hinge pin)	mm	1.015
E	Reach with boom horizontal and fork leveled	mm	2.305
	Reach with boom horizontal and fork leveled (hinge pin)	mm	1.745
F	Reach with fork at maximum height	mm	1.115
	Reach with fork at maximum height (hinge pin)	mm	556
G	Ground to top of tine at minimum height & fork leveled	mm	189
H	Ground to top of tine with arms horizontal and fork level	mm	2.400
J	Ground to top of tine at maximum height and fork level	mm	5.185
K	Clearance at full lift and maximum dump	mm	3.680
M	Hinge pin height at maximum height	mm	5.615
N	Hinge pin height with arms horizontal	mm	2.830
O	Hinge pin height with fork at ground level	mm	570
α	Maximum discharge angle at max. height	°	43,4

All measurements with tyres Michelin XTXL 35/65R33 at 800 kPa pressure.
For full specifications please refer to the WA600-8 product brochure.

